

# Simple Real-time Sonar with the DSP56824

---

Application Note

by

*Mihai V. Micea, Lucian Muntean, and Daniel Brosteanu*

AN2086/D  
Rev. 0, 06/2001



## ***How to Reach Us:***

### **Home Page:**

[www.freescale.com](http://www.freescale.com)

### **E-mail:**

[support@freescale.com](mailto:support@freescale.com)

### **USA/Europe or Locations Not Listed:**

Freescale Semiconductor  
Technical Information Center, CH370  
1300 N. Alma School Road  
Chandler, Arizona 85224  
+1-800-521-6274 or +1-480-768-2130  
[support@freescale.com](mailto:support@freescale.com)

### **Europe, Middle East, and Africa:**

Freescale Halbleiter Deutschland GmbH  
Technical Information Center  
Schatzbogen 7  
81829 Muenchen, Germany  
+44 1296 380 456 (English)  
+46 8 52200080 (English)  
+49 89 92103 559 (German)  
+33 1 69 35 48 48 (French)  
[support@freescale.com](mailto:support@freescale.com)

### **Japan:**

Freescale Semiconductor Japan Ltd.  
Headquarters  
ARCO Tower 15F  
1-8-1, Shimo-Meguro, Meguro-ku,  
Tokyo 153-0064  
Japan  
0120 191014 or +81 3 5437 9125  
[support.japan@freescale.com](mailto:support.japan@freescale.com)

### **Asia/Pacific:**

Freescale Semiconductor Hong Kong Ltd.  
Technical Information Center  
2 Dai King Street  
Tai Po Industrial Estate  
Tai Po, N.T., Hong Kong  
+800 2666 8080  
[support.asia@freescale.com](mailto:support.asia@freescale.com)

### ***For Literature Requests Only:***

Freescale Semiconductor Literature Distribution Center  
P.O. Box 5405  
Denver, Colorado 80217  
1-800-441-2447 or 303-675-2140  
Fax: 303-675-2150  
[LDCForFreescaleSemiconductor@hibbertgroup.com](mailto:LDCForFreescaleSemiconductor@hibbertgroup.com)

Information in this document is provided solely to enable system and software implementers to use Freescale Semiconductor products. There are no express or implied copyright licenses granted hereunder to design or fabricate any integrated circuits or integrated circuits based on the information in this document. Freescale Semiconductor reserves the right to make changes without further notice to any products herein. Freescale Semiconductor makes no warranty, representation or guarantee regarding the suitability of its products for any particular purpose, nor does Freescale Semiconductor assume any liability arising out of the application or use of any product or circuit, and specifically disclaims any and all liability, including without limitation consequential or incidental damages. "Typical" parameters which may be provided in Freescale Semiconductor data sheets and/or specifications can and do vary in different applications and actual performance may vary over time. All operating parameters, including "Typicals" must be validated for each customer application by customer's technical experts. Freescale Semiconductor does not convey any license under its patent rights nor the rights of others. Freescale Semiconductor products are not designed, intended, or authorized for use as components in systems intended for surgical implant into the body, or other applications intended to support or sustain life, or for any other application in which the failure of the Freescale Semiconductor product could create a situation where personal injury or death may occur. Should Buyer purchase or use Freescale Semiconductor products for any such unintended or unauthorized application, Buyer shall indemnify and hold Freescale Semiconductor and its officers, employees, subsidiaries, affiliates, and distributors harmless against all claims, costs, damages, and expenses, and reasonable attorney fees arising out of, directly or indirectly, any claim of personal injury or death associated with such unintended or unauthorized use, even if such claim alleges that Freescale Semiconductor was negligent regarding the design or manufacture of the part.

# Abstract and Contents

---

The focus of this paper is on the techniques of analysis and implementation of a simple real-time SONAR system with a DSP56824-based board connected to a host computer.

SONAR system's general architecture and its principles of functioning are further presented. Specific digital signal processing algorithms developed for the ultrasound frequencies are described in detail, along with their implementation using the DSP56824 processor.

Finally, a particular application developed with the proposed SONAR system is presented as a case study. Some prospects and future work related to this subject are also mentioned as conclusion.

<b>1</b>	<b>Introduction</b>	1
1.1	General Description of a Sonar System	1
<b>2</b>	<b>Proposed Sonar System Description</b>	3
2.1	General System Architecture	3
2.2	Transducer Interface Circuits	5
2.3	Stepper Motor Control	6
<b>3</b>	<b>Sonar Implementation on the DSP56824</b>	7
3.1	Definition and Initialization Phase	7
3.2	Emitted Wave Generation	11
3.3	Echo Signal Sampling and Storing	11
3.4	Target Polar Coordinates Calculation	12
3.5	Transmission of Results to the Host	15
3.6	Transducer Platform Rotation	17
<b>4</b>	<b>Sonar Implementation on the Host</b>	19
4.1	Serial Data Link Implementation	19
4.2	Graphical User Interface Implementation	21
<b>5</b>	<b>Conclusions</b>	22
<b>6</b>	<b>References</b>	24



# 1 Introduction

SONAR (SOund NAVigation and Ranging) systems, like RADAR and electro-optical systems, have a large field of applications in robotics, navigation, and target detection. The common principle of functioning is based on the propagation of waves between a target and the detector. Sonar, however, differs fundamentally from radar and electro-optics because the energy is transferred by acoustic waves.

Digital signal processing techniques increase the versatility of modern sonar systems, resulting in a wider range of detection, better precision, data storage and post-processing capabilities, as compared to previous, analog sonar systems. Digital filtering algorithms can be applied to the received data, thus improving the target detection capabilities in noisy environments. Therefore, using digital signal processors (DSPs) to enhance sonar performance is advantageous.

This application note presents a simple real-time sonar implementation using the DSP65824.

Section 1.1, “General Description of a Sonar System,” explains a typical sonar system, along with its principles of operation.

Section 2, “Proposed Sonar System Description,” introduces the suggested sonar implementation using the DSP56824. Also presented is a general block diagram of the system, the hardware and functional description of its components, and the specialized DSP algorithms.

The focus of Section 3, “Sonar Implementation on the DSP56824,” provides details of the sonar-specific algorithms on the DSP56824 processor. This section also discusses the routines developed for generating the emitted wave samples, echo signal reception and pre-processing, noise filtering, emitted pattern recognition and target distance calculation. The implementation of data communication routines between DSP and the host computer are also presented.

Section 4, “Sonar Implementation on the Host,” describes the sonar implementation on the host side: the data link routines with the DSP and the graphical user interface developed under the Windows platform.

Finally, Section 5, “Conclusions,” presents a synthesis of the work along with practical results, performance estimations of the sonar system, and investigates additional applications for simple sonar systems.

## 1.1 General Description of a Sonar System

The basic sonar system estimates the distance to a target by calculating the overall propagation time of a specially selected audio or ultrasound wave between the sonar and target. In an active sonar system the wave propagates from the transmitter to the target and back to the receiver analogous to pulse-echo radar and passive sonar systems in which the target is the source of the energy that propagates to the receiver.

In an active sonar system, the source of the acoustic wave is part of the sonar system. The electrical energy from the transmitter must be converted into acoustic energy, by a transducer. In a passive sonar system, the source is the target itself.

Knowing the propagation speed of the acoustic waves in the particular environment where the sonar operates—say, in air—the estimated target distance from the sonar is determined using Equation 1.

$$D = v_s \cdot \frac{t_{\text{propagation}}}{2} \quad \text{Eqn. 1}$$

where:  $v_s = 340 \left[ \frac{\text{m}}{\text{s}} \right]$  - is the propagation speed of acoustic waves in air, and;  
 $t_{\text{propagation}} [\text{s}]$  - is the total propagation delay of acoustic waves.

Transducers are used to receive acoustic energy. When they are designed to receive equally in all directions, they are called omni-directional. Transducers can be constructed with minimal directionality in which case they have a range of angles, known as beamwidth, from which to receive energy.

While receiving, the narrow beamwidth allows the transducer to reject interfering noise because the ambient noise comes from all directions. This is represented mathematically by a logarithmic term called the directivity index, **DI**.

The criterion for detection requires that the amount of power collected by the receiver to exceed the noise level by a certain threshold. The ratio of signal-to-noise in logarithmic form is the **SNR**. The minimum **SNR** for detection is called the detection threshold, **DT**. Therefore detection generally occurs, meaning more than 50% of the time, whenever **SNR > DT**.

The transmission loss (noted here as **TL**) represents the signal loss from source to receiver. The transmission loss term includes all the effects of the energy spreading out, attenuation, and other various effects.

As a result, the **SNR** at the sonar receiver can be written explicitly for a passive system (which has a one-way transmission) as shown in Equation 2.

$$\text{SNR}_{\text{passive}} = \text{SL} + \text{DI} - \text{TL} - \text{NL} \quad \text{Eqn. 2}$$

where: **SL**- is the source level of emitted acoustic energy;

**DI**- directivity index of the receiver;

**TL**- transmission loss;

**NL**- noise level.

For an active system, there is an additional term, called target strength (**TS**), which describes the reflection of energy from the target. The target strength acts as a source level after reflection, and therefore includes any directional effects of reflection. The target strength is a function of the target size, surface material, shape, and orientation in the same way that radar cross-section varies. Equation 3 also shows that there is a two-way transmission loss for the active system.

$$\text{SNR}_{\text{active}} = \text{SL} - 2\text{TL} + \text{TS} - \text{NL} + \text{DI} \quad \text{Eqn. 3}$$

Although these terms look similar in active and passive systems the values for each term will generally be quite different.

## 2 Proposed Sonar System Description

This section introduces the proposed sonar implementation using the DSP56824 processor. Also presented is a general block diagram of the system, the hardware and functional description of its components, and the specialized DSP algorithms.

### 2.1 General System Architecture

The application presented uses the DSP65824 to implementation an active sonar system. Figure 1 illustrates the general system architecture of our example.

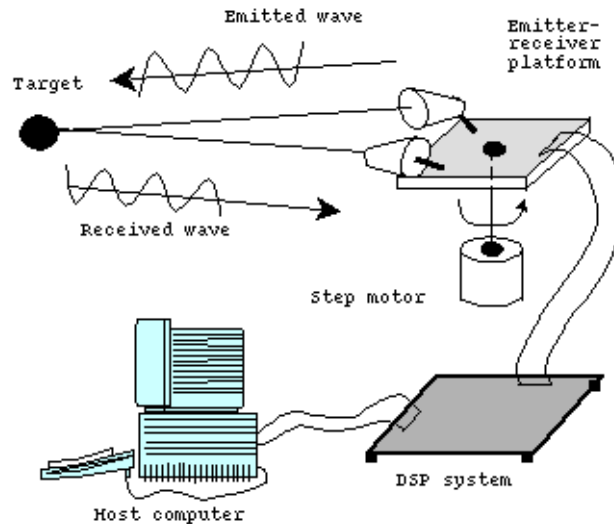


Figure 1. Sonar System Architecture

The primary feature of this active sonar system is that both the acoustic wave source and the receptor are assembled together on a rotating platform. The two transducers were selected as a pair of ultrasonic emitter and receiver with similar electro-acoustic properties. They define the sonar working frequency for the acoustic signals as:  $f_{\text{Sonar}} = 40 \text{ kHz}$ . The emitter/receiver platform is driven by a stepper motor, controlled from the DSP board.

The electronic amplifier and driver circuits for the ultrasound transducers, as well as the analog-to-digital conversion logic for properly receiving of the incoming echo signal are additional features of this system. They can be assembled on a separate circuit board, or on the rotating platform, in close proximity to the transducers. The first option is preferred because it reduces the total weight of the platform, thus requiring a stepper motor with relatively low parameters (for example, size, power consumption, and weight).

We used the DSP56824-based Evaluation Module (EVM) as the core unit of the sonar system. It is directly connected to the transducer interface logic through Port B, configured as the General Purpose I/O port (GPIO). It is also connected to the host computer using the standard PC serial interface.

The DSP performs all the sonar-specific data processing operations (for example, emitted-wave samples generation, received signal filtering, detection of the emitted pattern in the received data buffer, and target distance calculation), as well as the data communication routines for both the host side and the transducer interface, the analog-to-digital converter, and the stepper motor control routines.

The host computer provides the graphical user interface of the sonar. The user starts and stops the sonar operation and the GUI displays the detected targets in a graphical, intuitive manner, simulating the real-life *radar* and *sonar* scopes.

When activated, the proposed sonar system performs the steps illustrated in the general data flow shown in Figure 2.

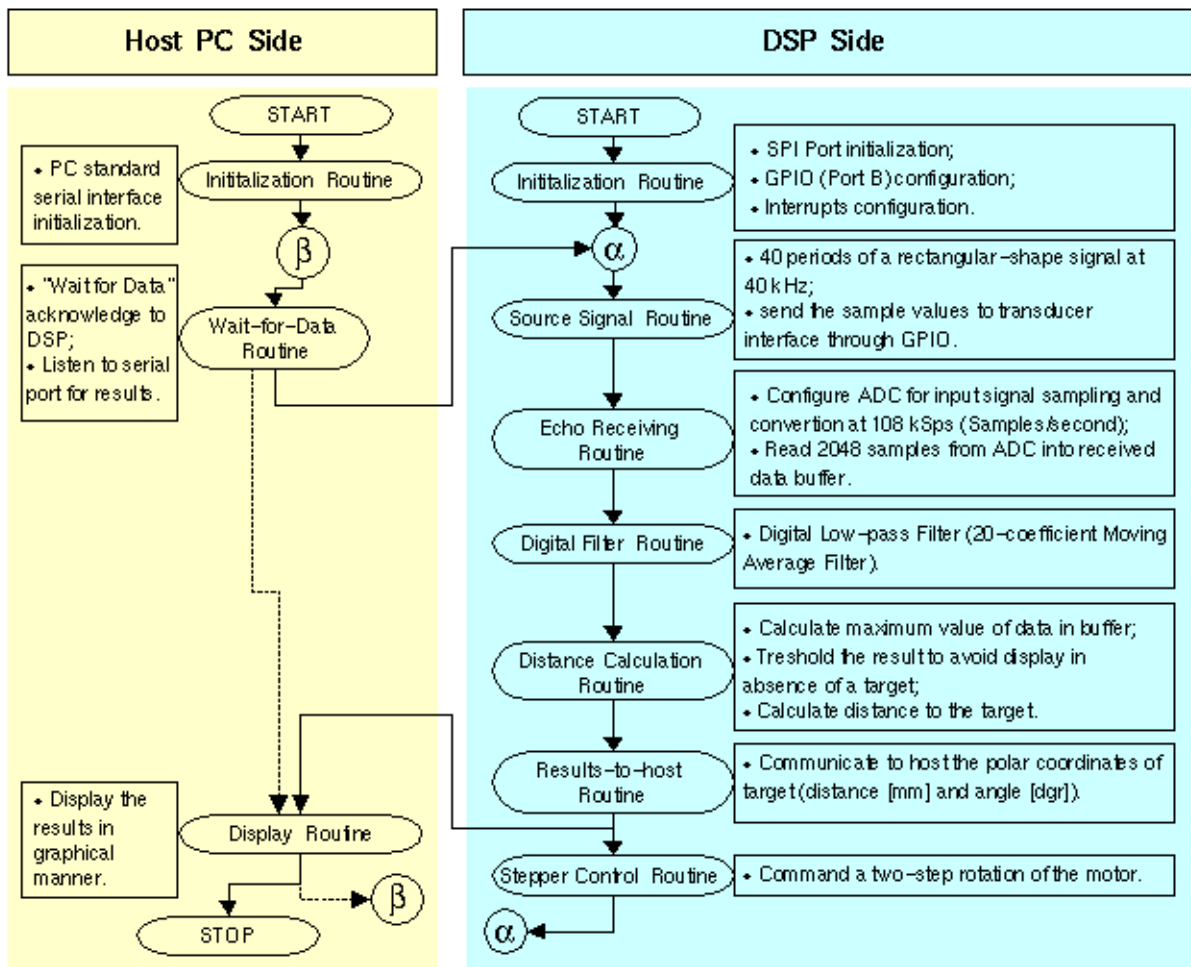


Figure 2. General Sonar Operations Flow

Figure 2 emphasizes the most important routines developed for the sonar system, as well as their relative position in time during the operation of the sonar. One of the most important characteristics of the sonar general data flow, evident in the illustration, is the parallelism of routine execution between the host side and the DSP side.

Items denoted in Figure 2 as ‘ $\alpha$ ’ and ‘ $\beta$ ’ are stable states of the data flow. When the execution on the DSP reaches the ‘ $\alpha$ ’ state, it waits asynchronously for an external event in order to go further—that is, the host computer signal is ready to receive results from the DSP. After receiving the signal, the DSP executes a series of routines ultimately reaching the distance calculation loop which corresponds to a 1.8 degree horizontal scan (two 0.9 degree step rotations of the stepper motor) from a total of 180 degrees—the sonar angular detection range.

In the same manner, when the execution on the host side reaches the ‘ $\beta$ ’ state, the computer sends a ‘wait for data’ command to the DSP and loops indefinitely until one of the following conditions occur: the DSP sends results through the serial link, or the user stops the sonar operation from the graphical user interface. Detailed descriptions of the routines depicted in Figure 2 are provided in Section 3 and in Section 4 of this application note.



## 2.2 Transducer Interface Circuits

Two ultrasound transducers, one for acoustic emission and the other for echo reception, and the corresponding signal conditioning circuits represent the analogue component of the sonar.

We used a 400SR-400ST pair of capacitive transducers because of their good acoustic characteristics: 40 kHz ultrasound transducers, frequency tolerance of  $\pm 1$  kHz, good directivity, and small size.

To accommodate the small emitting transducer impedance and to increase the signal gain, an operational amplifier-based interface logic was implemented, as presented in Figure 3.

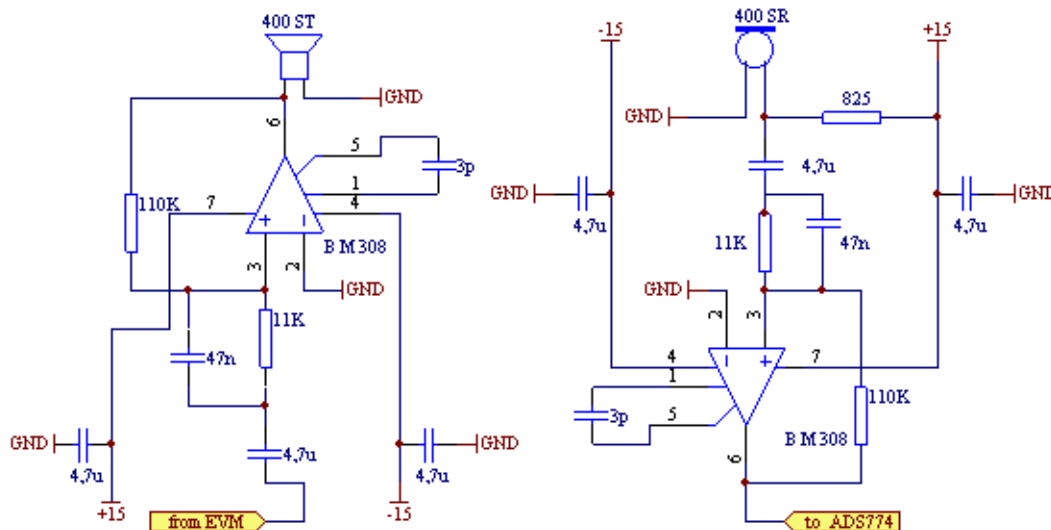


Figure 3. Emitter and Receiver Transducer Circuits

This scheme obtains a theoretical voltage gain of +20, for the emitted signal. Filtering capacitors were provided to eliminate the noise on the circuit power lines.

From the DSP Evaluation Module's GPIO Port, the 40 kHz generated rectangular signal is amplified and filtered through the emitting transducer interface circuits, resulting in a sine wave of the same frequency as the input of the transducer.

For the echo signal reception and conditioning we implemented a similar signal amplification (this time with a theoretical voltage gain of +40) and impedance regulation circuit. Consecutively, the resulted output signal needs to be converted from analog to digital in order to be sent to the DSP for further processing.

Because of the relatively high frequency of the ultrasound signal (40 kHz), the DSP56824EVM on-board audio codec (MC145483 13-bit linear single-channel) is not appropriate for our sonar application. Instead, we developed a Burr-Brown sampling ADS774-based analog-to-digital scheme, able to work at 108 kSps (kilo-Samples per second).

The ADS774 is controlled by the DSP through two dedicated GPIO lines: one for starting the conversion cycles on the ADS and the other for pooling the conversion status to detect an 'end of conversion' that acknowledges available data from ADS shown in Figure 4.

From the total of 12 bits output of the converter, the DSP uses the 9 most significant bits as a supplementary noise-reduction measure.

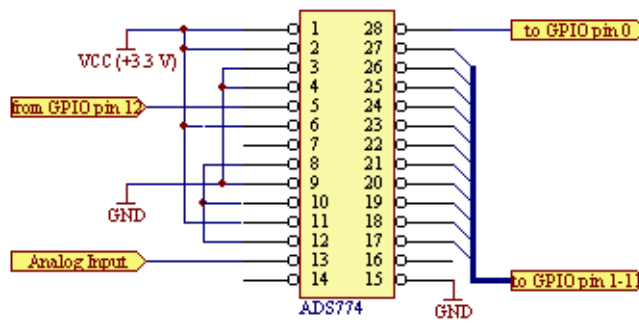


Figure 4. Analog-Digital Converter Circuit

## 2.3 Stepper Motor Control

Both transducers, assembled on a small platform are driven by the stepper motor (see Figure 1 on page 3). The motor is controlled by the DSP through 2 dedicated GPIO lines interfaced by the control circuit illustrated in Figure 5.

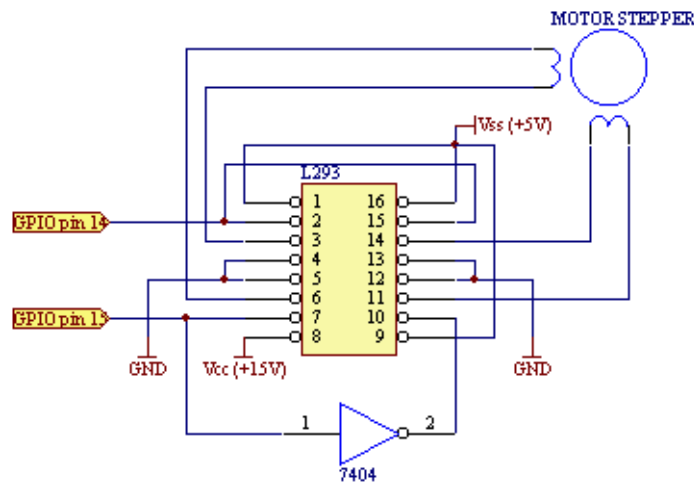


Figure 5. Stepper Motor Control Circuit

The stepper motor rotates the transducers platform with a total angle of 180 degrees, left and right, with a two-step resolution; one step corresponds to 0.9 degrees. More details on commanding the stepper are provided in Section 3.

### 3 Sonar Implementation on the DSP56824

As shown in previous sections, all the sonar-specific algorithms are implemented on the DSP56824. The main program on the DSP follows the general steps presented in Figure 2 on page 4.

Code Listing 1 presents the main program sequence of sonar implementation. First, the general data structures used by the main program and the subsequent routines are defined, and the DSP initialization is made. In the Section 3.1 we describe this initial phase of the program.

The main program incorporates into an infinite loop all the routines developed for the target detection, distance calculation and communicates the results to the host.

**Code Listing 1. Sonar main program on DSP**

---

```

Defines_and_Init                                ; here are the general data structures defines
                                                ; and the Sonar initialization

main
  jsr    Gen_Signal
  jsr    Read_ADC
  jsr    Moving_Average
  jsr    Seek_MAX
  jsr    Calc_Position
  jsr    Gen_Sincro
  move   angle,y1
  jsr    Out_y1
  move   distance,y1
  jsr    Out_y1
  jsr    rotate_motor
  jmp    main

```

---

Generation of the emitted signal is the first step performed by the sonar program - the 'Gen\_Signal' routine. Next, the DSP commands the analog-to-digital converter to fill a 2048-word buffer with samples from the received echo signal. This is accomplished by the 'Read\_ADC' procedure.

Actual calculation of the distance to a target is performed on the data buffer written during the 'Read\_ADC' step. First, the received signal is filtered using a *Moving Average* type of low-pass digital filter. Next, we look for the maximum value on the buffer. Its relative position will then be represented in millimeters and stored into the 'distance' variable. The 'Calc\_Position' results in the angular coordinate of the target—the 'angle' parameter.

At this point, the DSP has a complete set of results to be sent to the host computer through the serial data link. It starts the synchronization procedure, 'Gen\_Sincro', which waits for the host to acknowledge it is ready to receive the results and at the same time ensures a correct data transaction on the serial interface.

After the correct synchronization step the two target coordinates ('distance' and 'angle') are sent to the host computer for display.

Finally, the stepper motor is commanded for a 1.8 degree rotation of the transducer platform, and the main sonar program loops back to the next target detection iteration.

Extensive implementation details of all the above routines will be given in the following sub-sections.

#### 3.1 Program Definition and Initialization Phase

All the general program parameters and variables are defined in this section: peripheral and core DSP registers used by the sonar program, temporary values, sonar functional parameters, constants, and so on.

## Code Listing 2. General Program Defines

```

; Program defines
define ipr          'x:$fffb'    ; Interrupt priority register
define bcr          'x:$fff9'    ; Bus control register
define pcr1         'x:$fff3'    ; PLL control register 1
define pcr0         'x:$fff2'    ; PLL control register 0
define pbd          'x:$ffec'    ; Port B data register
define pbddr        'x:$ffeb'    ; Port B data direction register
define pbint        'x:$ffea'    ; Port B Interrupt register
define pcd          'x:$ffef'    ; Port C data register
define pcddr        'x:$ffee'    ; Port C data direction register
define pcc          'x:$ffed'    ; Port C control register
define spcr1        'x:$ffe6'    ; spi 1 control register
define spsr1        'x:$ffe5'    ; spi 1 status register
define spdrl        'x:$ffe4'    ; spi 1 data register

; Variables used in program to retain temporary values,
;; results and to perform software loops.
define go           'x:$0'
define loopc1      'x:$1'
define loopc2      'x:$2'
define save_r0     'x:$3'
define save_m      'x:$4'
define leftcount   'x:$5'
define rightcount  'x:$6'
define angle       'x:$7'
define distance    'x:$8'

; Program equates
SPIF          equ    $0080          ; SPIO Interrupt complete flag
dummy         equ    $0000          ; dummy value to write
pc7           equ    $0080          ; port C bit 7
WRITEUP       equ    $0080          ; write upper instruction byte
READ          equ    $0000          ; read command
PLL_DIV       equ    19             ; PLL Feedback Multiplier
dim           equ    2048           ; receive buffer dimension
dim_mot_buf   equ    4              ; the dimension of command motor
;; buffer words
no_detection  equ    0              ; constant used to indicate that
;; no object is detected
noise_level   equ    6              ; maximum noise level
av_points     equ    20             ; the number of coefficients for
;; moving average filter

no_wave       equ    40             ; the number of periods for the
;; emitted signal

```

In the next sequence of code, we define a circular buffer for the stepper motor command. In order to perform a 0.9 degrees one-step rotation, the stepper we used needs a two-bit input code explained in Table 1.

**Table 1. Stepper Motor Command Sequence**

GPIO Pin Numbers: 14,15	One Step Left Rotation	One Step Right Rotation
1 1	↑	↓
0 1		
0 0		
1 0		

Depending on the current configuration of the two command lines (GPIO Pin 14 and 15), the next step rotation will be commanded by following the corresponding direction shown in Table 1 (see also Figure 5 on page 6). For example, if the current command lines configuration is '01' and we need to perform a one step right rotation of the stepper motor, the next sequence on the GPIO lines 14, 15 needs to be: '00'.

The motor command data structure implements a circular buffer, which will be scanned upwards or downwards, depending on the rotation type needed. The command is shown in the Code Listing 3.

**Code Listing 3. Stepper Motor Command Data Structure**

---

```

                org           x:$1000
; this circular buffer retains the command words for the motor
                buffer       m,dim_mot_buf
pas
                dc           $0000
                dc           $8000
                dc           $c000
                dc           $4000
                endbuf

```

---

Further on, the DSP stack initialization, along with the PLL, GPIO, and interrupts setup is made:

#### Code Listing 4. Main Program Initialization Sequence

```

                                org          x:$2000
; receive buffer
                                buffer      m,dim
m_buf                            ds          dim
                                endbuf

                                org          p:$0000
                                jmp          Start          ; start of program
                                org          p:$0014
                                jsr         Irqa_ISR        ; Port B GPIO Interrupt
                                org          p:$0100        ; Starting location of this
                                                                ; program

Start
                                move         #$40,sp        ; Set stack pointer to first
                                                                ; location
                                                                ; after page 0
                                move         #$0000,bcr      ; Initialize BCR for zero wait
                                                                ; states
                                move         #(PLL_DIV-1)<<5,pcr0 ; Configure PLL feedback divider
                                                                ; 3.6864 MHz * 19 = 70.0416 MHz
                                bfset       #$4208,pcr1      ; Enable PLL using oscillator
                                                                ; clock-PLLE=1, PS1=1, VCS0=1

; Delay to meet the pll lock setup time
                                move         #$1fff,lc
                                do          lc,delay1
                                nop
                                nop

delay1
                                move         #$1fff,lc
                                do          lc,delay2
                                nop
                                nop

delay2
                                move         #$F000,pbaddr    ; Configure GPIO pins
                                move         #$8000,ipr      ; Enable GPIO interrupts
                                bfset       #$0100,sr        ; Enable all level of interrupts
                                bfclr      #$0200,sr
                                move         #dim,m01
                                move         #1,n
                                move         #pas,save_r0
                                move         #100,x0
                                move         x0,leftcount
                                move         #0,x0
                                move         x0,rightcount
```

The routine which programs SPI on port C to communicate with host computer is given below. When the SPI is configured as a master, the software selects one of the eight different bit rates for the clock. The routine also configures the MAX3100 UART (universal asynchronous receiver transmitter) used as RS-232 interface.

**Code Listing 5. Serial Interface Configuration Routine**


---

```

Serial_Program
    bfset  #pc7,pcd          ; max3100 CS high
    bfset  #pc7,pcddr       ; make pc7 output
    bfset  #$0070,pcc       ; enable spi-1 on port c 4-6
    move   #$0111,spcr1     ; configure spil control register
                                ; divide by 32    70MHZ % 32 = 2.1875MHZ
                                ; idles 0
                                ; push-pull drivers
                                ; interrupts disables
                                ; master mode
                                ; cpl = 0 and cph = 0
                                ; spi disable
                                ; enable SPI1
    bfset  #$0040,spcr1
; configure max3100
    move   #$00e4,y0        ; fifo off, rm = 1
    move   #$0001,y1        ; 115.2k, length = 8, no parity, 1 stop bit
                                ; disable ir mode
    bfclr  #pc7,pcd        ; cs low
    move   y0,a1            ; get data
    jsr   Write            ; transfer data to max3100
    move   y1,a1            ; get data
    jsr   Write            ; transfer data to max3100
    bfset  #pc7,pcd        ; cs high
; configuration max3100 done
    rts

```

---

## 3.2 Emitted Wave Generation

Sonar uses a rectangular signal as source wave. The required signal parameters are: 40 kHz frequency—to be compatible with the emitting transducer, and 40 periods—to ensure enough signal energy for range maximization.

Routine ‘Gen\_Signal’ uses GPIO pin 13 for transmitting the source signal to the transducer interface circuits. The variable ‘no\_wave’ stores the total number of signal periods—that is, 40 periods.

**Code Listing 6. Source Signal Generation Routine**


---

```

Gen_Signal
    do          #no_wave,semnal
    bfclr      #$2000,pbd      ; reset the bit 13 (pin 13 - low)
    move      #430,a0         ; delay to obtain the 40kHz wave
    rep       a0
    nop
    bfset      #$2000,pbd      ; set the bit 13 (pin 13 - high)
    move      #430,a0
    rep       a0
    nop
    nop
semnal
    nop
    rts

```

---

## 3.3 Echo Signal Sampling and Storing

After the emitted wave is generated and sent to the corresponding transducer, the sonar enters the echo signal reception and sampling procedure. Here, the ADS is commanded for 2048 consecutive conversion cycles, by asserting the GPIO pin 12—the ‘Start Conversion’ line, within the ‘reads’ routine as shown in Code Listing 7.

A valid conversion result is acknowledged by the ADS through its ‘Status’ line, connected to the DSP’s GPIO pin 0. When it is activated, an interrupt occurs and a 9-bit data is read from the converter and stored into the buffer. A new ‘Start Conversion’ command will be issued after the read-store operation completed successfully onto the interrupt handler subroutine.

Although the converter is capable of 12 bits resolution, the data-read routines use only the 9 most significant bits of the conversion result to perform an initial noise filtering of the received signal.

**Code Listing 7. Read 2048 Echo Signal Samples**

---

```

Read_ADC
    move        #$0101,pbint        ; Configure GPIO pin 0 to generate
                                    ;; interrupt on falling edge detection
    move        #m_buf,R0
    move        #dim,lc
    do         lc,read_sample
    jsr        reads
    nop
    nop

read_sample
    nop
    move        #$0000,pbint        ; GPIO pins masked to prevent other
                                    ;; interrupts
    rts

reads
    bfclr      #$1000,pbd          ; Reset GPIO pin 12
    nop
    nop
    bfset      #$1000,pbd
    move        #0,go

readl
                                    ; Test the 'go' variable to be altered
                                    ;; by the interrupt handler.
    bftsth     #1,go
    jcc        readl
    rts

Irqa_ISR
                                    ; Interrupt handler routine: read a
                                    ;; conversion result from ADS and
                                    ;; store the 9 MSB into the buffer
    movep      pbd,x0
    ror        x0
    ror        x0
    ror        x0
    bfclr      #$FE00,x0
    move       x0,x:(R0)+
    move       #255,go
    rti

```

---

### 3.4 Target Polar Coordinates Calculation

At this point, the sonar program on the DSP has a received data buffer ready for the specialized algorithms of extracting the target’s polar coordinates.

First, the digital signal stored in the buffer is low-pass filtered to eliminate the noise, as much as possible. The ‘Moving\_Average’ routine described in the Code Listing 8 implements a *Moving Average*—type of low-pass digital filter, with 20 coefficients.



## Code Listing 8. Moving Average Digital Filter Implementation

---

```

Moving_Average
    move        #m_buf,R0
    move        #255,y0
    move        #dim,lc
    do          lc,m1                ; Scan entire buffer
    move        R0,R1
    move        #0,a                ; Store the sum of 'av_points' number
                                        ;; of samples into A
    move        #av_points,x0      ;;

m2
    move        x:(R1)+,b
    sub        y0,b                ; Values in the buffer, read from the
                                        ;; ADS converter are Bipolar Offset
                                        ;; Binary coded with 9 bits.
                                        ;; As result we need to subtract
                                        ;; the 255 value to comply the
                                        ;; internal integer coding scheme

    abs        b
    move        b1,b0
    move        #0,b1
    add        b,a
    dec        x0
    jne        m2
    move        #av_points,x0      ; Divide the sum with the number of
                                        ;; points to obtain the average.
    jsr        divide              ;; This value is stored back in the
    move        y1,x:(R0)+         ;; current position.
    nop
    nop

m1
    rts

divide
                                        ; Divide A with X0 and return the
                                        ;; quotient in Y1 and the remainder
                                        ;; in A using a repetitive
                                        ;; division method.

    asl        a
    bfclr     #$0001,sr
    rep        #16
    div        x0,a
    move        a0,y1
    add        x0,a
    asr        a
    rts

```

---

The filtered data buffered is then processed to find the maximum value and its index in the buffer. The sonar program will interpret this information to extract the target distance in millimeters and to store it into the 'distance' variable.

Furthermore, to avoid considering fake targets when the sonar receives only noise, the resulted maximum value is compared to a predefined threshold (the 'noise\_level' variable). If it is below the threshold, the result is considered noise and ignored (variable 'distance' is written with the 'no\_detection' predefined value).

### Code Listing 9. Maximum Value and Its Buffer Index Calculation

```
Seek_MAX
    move    #0,y0
    move    #m_buf,R0
    move    #2020,lc
    do      lc,_search          ; Search entire buffer for the maximum
    move    x:(R0)+,x0         ;; value of a sample and store
    cmp     x0,y0              ;; it along with its index position.
    jge    _is_ge
    move    x0,y0
    move    #m_buf,x0
    move    R0,y1
    sub     x0,y1

_is_ge
    nop
    nop
    nop

_search
    nop
    move    #noise_level,x0    ; Compare the obtained value with
    cmp     x0,y0              ; the 'noise_level'
    jgt     _is_greater        ; If the maximum level found is lower,
                                ; then we consider no object detected

    move    #no_detection,distance
    rts

_is_greater
    move    #170,x0            ; Calculate the distance in
    mpy     x0,y1,a           ;; millimeters, by multiplying with
    asr     a                  ;; 170 (sound speed / 2) and dividing
                                ; with 108 (codec samplingrate)

    move    #108,x0
    jsr     divide
    move    y1,distance       ; Store the result in 'distance'
    rts
```

The second target polar coordinates parameter to be calculated is the angle. The 'Calc\_Position' routine described in Code Listing 10, uses two general program parameters, 'rightcount' and 'leftcount' to calculate - in degrees - the actual angular position of the transducer platform.

The two rotation parameters ('rightcount' and 'leftcount') are altered by the stepper motor control routine. For example, if the transducer platform is currently turning leftward, 'leftcount' contains the number of rotation steps to be done until the complete rotation to the left will be performed (totalling 180 degrees), while 'rightcount' variable is forced to '0' value. This stepper motor routine will be described Section 3.6.

The 'Calc\_Position' routine returns the calculated angle, in degrees, to the Y1 register.

### Code Listing 10. Angle Coordinate Calculation Procedure

```
Calc_Position
    move    leftcount,x0
    cmp     #0,x0
    jgt     _multiply
    move    #100,x0
    sub     rightcount,x0

_multiply
    move    #9,y0             ; Calculate the angle in degrees,
    mpy     x0,y0,a          ;; multiplying with 9 and dividing with 5
    asr     a                 ;; (9/5=1.8).1.8 degrees represent the angle
                                ; of 2 motor steps
    move    #5,x0
    jsr     divide
    move    y1,angle         ; Store the result into 'angle'
    rts
```

## 3.5 Transmission of Results to the Host

A complete set of target coordinates is now available and stored into the 'distance' and 'angle' variables on the DSP. The next step is to transmit these results to the host computer to be used for the real-time sonar display procedures.

The DSP initiates the synchronization procedure which waits for the host to acknowledge that it is ready to receive the results and at the same time ensures a correct data transaction on the serial interface.

The synchronization routine has twin roles: to ensure that the correct data transfers on the serial link, and, more importantly, to synchronize the data flow between the host and the DSP (' $\alpha$ ' and ' $\beta$ ' execution states depicted in Figure 2 on page 4).

Code Listing 11 presents the synchronization routine 'Gen\_Sincro'. Basically, it waits for the host computer to reach its own synchronization phase, doing a blocking read on the serial port (SPI) until the host sends a data byte. The routine acknowledges with a '0x55' response byte and waits for the next host serial write. This time the DSP responds with a different value: '0xAA'. Both steps are repeated five times.

The host computer performs serial communication error checking using the two values sent during the synchronization procedure.

**Code Listing 11. Synchronization Procedure on the DSP**

---

```

Gen_Sincro
    do          #5,sincro          ; Define the five-times iteration
    jsr        Read_Char          ; Read a byte from host computer
    move       #$55,x0
    jsr        SendChar_x0        ; Write $55 to host
    jsr        Read_Char          ; Read a byte from host
    move       #$AA,x0
    jsr        SendChar_x0        ; Write $AA to host
    nop
    nop
sincro
    nop
    rts

```

---

After the synchronization phase is completed successfully, the transmission of the actual sonar detection results follows. Code Listing 12 describes the basic serial data communication routines used by the DSP.

## Code Listing 12. Serial Data Communication Routines

```

Out_y1                                ; Send a word (2 bytes) from DSP to host
                                        ; computer using the 'SendChar_x0'
                                        ; routine to send a byte.
                                        ; Wait a byte from host
        jsr          Read_Char
        move         y1,x0
        jsr          SendChar_x0        ; Send the least significant byte
        jsr          Read_Char        ; Wait a byte from host
        move         #8,x0
        lsrr         y1,x0,x0          ; Right shift the word with 8 bits
        jsr          SendChar_x0      ; Send the most significant byte
        rts

SendChar_x0                            ; A routine used to send the LSB of X0
                                        ; to host computer.
                                        ; First check to see if MAX3100 will
                                        ; accept a new byte and, if yes, send 2
                                        ; bytes (command + data byte).
        jsr          Check_Write      ; Check to see if a new character can be
                                        ; sent
        bfclr        #pc7,pcd         ; cs low
        move         #WRITEUP,a1      ; Upper byte of write sequence
        jsr          Write            ; Write to max3100
        move         x0,a1            ; Data
        jsr          Write            ; Write to max3100
        bfset        #pc7,pcd         ; cs high
        rts

Write                                    ; Dummy read (read SPSR1 to clear SPIF
        move         spsr1,a0          ; so SPI can write).
        move         a1,spdr1         ; Output data is in a1

Txbyte                                  ; If SPIF = 1 then data is transferred.
        bftsth       #SPIF,spsr1      ; If SPIF = 0 then rx is not finished.
        bcc          Txbyte
        rts

Check_Write
Again1                                   ; cs low
        bfclr        #pc7,pcd         ; Command to Read from max3100.
        move         #READ,a1         ; Send command to SPI1.
        jsr          Read            ; Save upper byte of status in b1.
        move         a1,b1            ; Command to Read from max3100.
        move         #READ,a1         ; Send command to SPI1.
        bfset        #pc7,pcd         ; cs high
        move         a1,b0            ; Save lower byte of status in b0.
        bftsth       #$0040,b1        ; Check Transmit empty bit.
        bcc          Again1          ; If T = 0 then tx is not finished.
        rts

Read                                    ; Dummy read.
        move         spsr1,a0          ; Output data to spil.
        move         a1,spdr1

Rxbyte                                  ; If SPIF = 1 then data is transferred.
        bftsth       #SPIF,spsr1      ; If SPIF = 0 then rx is not finished.
        bcc          Rxbyte
        move         spdr1,a1         ; Input data is in a1.
        rts

Read_Char                               ; Read a byte from host computer.
                                        ; Before this, it is necessary to
                                        ; check if a byte is available and then
                                        ; to send a command to max3100.
        jsr          Check_Read      ; Check to see if there is a new
                                        ; character to read.
        clr          a

```

```

        bfclr      #pc7,pcd          ; cs low.
        move      #READ,a1         ; Command to Read from max3100.
        jsr       Read             ; Send command to SPI1.
        move      #READ,a1         ; Command to Read from max3100.
        jsr       Read             ; Send command to SPI1.
        bfset     #pc7,pcd         ; cs high.
        rts

Check_Read
Again2
        bfclr      #pc7,pcd          ; cs low.
        move      #READ,a1         ; Command to Read from max3100.
        jsr       Read             ; Send command to SPI1.
        move      a1,b1            ; Save upper byte of status in b1.
        move      #READ,a1         ; Command to Read from max3100.
        jsr       Read             ; Send command to SPI1.
        bfset     #pc7,pcd         ; cs high.
        move      a1,b0            ; Save lower byte of status in b0.
        bftsth    #$0080,b1        ; Check Transmit empty bit R.
        bcc       Again2           ; If R = 0 then rx have not a new
        ;; character.
        rts

```

---

### 3.6 Transducer Platform Rotation

The final procedure of the sonar main program specifies the rotation of the transducer platform with a 1.8 degree step to the left or to the right.

In general, the sonar sensors platform is designed to perform consecutive 180 degrees rotations to the left and to the right. This is implemented with software by using two general parameters 'rightcount' and 'leftcount'.

At startup, 'leftcount' is set to '100' while in 'rightcount' we have '0'. As a result, the transducer platform will begin rotating toward the left, with a 1.8 degree step. For each step performed, the corresponding variable (in our case, 'leftcount') is decremented. When 'leftcount' reaches the '0' value, the sonar rotating platform finished its complete 180 degrees left turn and 'rightcount' is set to '100'. A consecutive 180 degrees right turn is then initiated.

### Code Listing 13. Transducer Platform Rotation Command Routines

```

rotate_motor                                ; Command the motor to rotate two steps
                                           ;; to the left until 'leftcount'
                                           ;; reaches to zero, then to the right in
                                           ;; the same manner.
                                           ; Test if leftcount is zero.
tstw          leftcount
jgt           go_left
move         #2,x0                          ; If 'rightcount' is zero,
jsr          rotate_right_x0               ;; rotate 2 steps to the right
decw        rightcount                     ;; and decrement 'rightcount'.
jgt          over                           ;; If 'rightcount' reaches zero
move        #100,leftcount                 ;; initialize 'leftcount' to 100.
jmp          over

go_left
move         #2,x0                          ; If 'leftcount' isn't zero,
jsr          rotate_left_x0                ;; rotate 2 steps to the left
decw        leftcount                      ;; and decrement 'leftcount'.
jgt          over                           ;; If 'leftcount' reaches zero
move        #100,rightcount                ;; initialize 'rightcount' to 100.

over
rts

rotate_left_x0                              ; Rotate the motor to the left with a
                                           ;; number of steps specified in X0.
                                           ;; This routine calls 'rotate_left' to
                                           ;; rotate the motor one step left.
move        m01,save_m                     ; Save the M01 register into memory.
memory.     move        save_r0,r0          ; Load R0 with a value stored into
move        #3,m01                          ; Initialize M01 with the length of
loopa2      move        x0,loopc2           ;; stepper command circular buffer.
jsr          rotate_left                    ; Rotate left with one step until
decw        loopc2                          ;; the value of 'loopc2' reaches zero.
bgt         loopa2
move        save_m,m01                      ; Restore M01 and save R0 into memory.
move        r0,save_r0
rts

rotate_right_x0                             ; Rotates the motor to the right.
move        m01,save_m                     ;; The number of steps for rotating
move        save_r0,r0                     ;; are stored in X0.
move        #3,m01
loopa3      move        x0,loopc2
jsr          rotate_right
decw        loopc2
bgt         loopa3
move        save_m,m01
move        r0,save_r0
rts

; The next two routines rotate the motor one step left/right using 2 GPIO pins.

rotate_left                                  ; Read a command word from the circular
                                           ;; buffer and send it to GPIO.
movep       pbd,y0
andc        #$3fff,y0                      ; Mask needed bits to preserve the
other ones.
move        x:(r0)-,x0                     ; Read a motor command word and
decrement R0.
or          y0,x0                          ; Set/reset bits 14 and 15.
movep       x0,pbd                         ; Output the result to GPIO.

```

```

        jsr          delay                ; Wait to ensure the correct motor
        rts                                ;; functioning.

rotate_right
    movep          pbd,y0
    andc          #$3fff,y0
    move          x:(r0)+,x0            ; Read a motor command word and
decrement R0.
    or            y0,x0
    movep          x0,pbd
    jsr          delay
    rts

delay
setup
command
                                ;; This routine assures the proper motor
                                ;; time. It is used after sending the
                                ;; (two bits) to the motor driver.
                                ;; Initialize a counter.
loopal          move          #350,loopc1
                move          #250,x0
                rep            x0
                nop
                decw          loopc1    ; Use a software counter.
                bgt          loopal
                rts

```

---

After executing the rotation procedures, the main sonar program loops back to generate another source signal to the transducer—the beginning of another target detection sequence.

## 4 Sonar Implementation on the Host

As mentioned in the Section 2, the host computer performs two basic tasks:

- establishes a serial data link with the DSP for command and result transactions,
- provides an intuitive and interactive graphical user interface for the sonar.

In the following paragraphs we get into further implementation details for the two components mentioned above.

### 4.1 Serial Data Link Implementation

Command and data communication with the DSP is implemented on the host side through the PC standard serial interface (RS232), configured at its maximum bit rate: 115200 bps (bits per second), with 8 data bits, one stop bit and no parity ('8N1').

The selected bit rate is high enough for the proper sonar functioning in real-time, because the necessary data throughput between the host computer and DSP has medium values.

When the sonar program is started on the host computer, it preforms the serial port initialization. The corresponding routine ('initSerialInterface()') is shown in Code Listing 14.

---

#### Code Listing 14. Host Serial Port Initialization Routine

---

```
void initSerialInterface(void){
    outportb(0x3fb,0x80);    //set the serial speed to 115200 bps
    outportb(0x3f8,1);
    outportb(0x3f9,0);

    outportb(0x3fb,3);    //set the serial mode to 8N1
}

```

---

Now, the host computer is ready to receive consecutive sets of detection results from the DSP for further display. To get a single set of results—that is, consisting of a pair of two-byte words, one for the calculated distance of a target (in millimeters) and one for the current orientation angle of the sonar transducer platform (in degrees)—the main program activates the serial transaction synchronization routine, ‘sincro()’.

The synchronization routines, both on the host and on the DSP, have twin roles: to ensure correct data transfers on the serial link, and, more important, to synchronize the data flow between the host and the DSP (‘ $\alpha$ ’ and ‘ $\beta$ ’ execution states depicted in Figure 2 on page 4).

---

#### Code Listing 15. Synchronization Routine on the Host Computer

---

```
int sincro(){
    int k;
    for(k=0;k<10;k++){
        Application->ProcessMessages();    //prevent complete lock of
                                           // other Windows
                                           // applications

        writeByte(0xff);    //send a synchronization
                             // byte and check correct
                             // sequence when receiving
                             // from DSP
        if (readByte()!=(0x55+(k % 2)*0x55)) return 0;}
    return 1;
}

```

---

Code Listing 15 presents the synchronization routine ‘sincro()’ on the host. Basically, it sends ten consecutive synchronization data bytes to the DSP and waits for a response byte from peer, after each one sent. The routine also checks the received bytes to correspond to the predefined sequence of ‘0x55’, ‘0xAA’.

Serial communication is completed by the byte read and write pair of routines, called also from the synchronization procedure. Code Listing 16 describes the two routines.

---

#### Code Listing 16. Byte Read and Write Pair of Routines

---

```
void writeByte(unsigned char b)
{
    while(!(inportb(0x3fd)&0x20))
        Application->ProcessMessages();
    outportb(0x3f8,b);
}

unsigned char readByte()
{
    while (!(inportb(0x3fd)&0x01))
        Application->ProcessMessages();
    return inportb(0x3f8);
}

```

---



After the synchronization between host computer and DSP is established, a set of detection results is automatically sent to PC. The results are then processed by the graphical user interface on the host for display, and, at the same time, the DSP starts a new detection iteration for the next angular step (1.8 degrees).

A new synchronization phase will begin after the host displays the current results and the DSP finishes its detection iteration.

## 4.2 Graphical User Interface Implementation

The sonar GUI was designed to run under Windows 9x/NT platforms on a recommended graphical resolution of  $800 \times 600$  pixels.

Users control the general sonar behavior—'start', 'stop', and 'exit'—using the corresponding buttons provided by the interface.

Sonar activity and detection results are displayed in real-time using three modes:

1. Graphical display window—depicts the detected targets at relative coordinates corresponding to their real position to the sonar transducers. This is the most intuitive mode, similar to classical *radar* and *sonar* scopes.
2. Numerical mode—displays the exact polar coordinates of the currently displayed target in two separate boxes: one for the target range (in millimeters) and one for the angular position (in degrees).
3. Progress bar display—presents the distance to the currently displayed target in an intuitive manner by showing a scale of the sonar minimum and maximum detection range.

Figure 6 presents a screen capture of the sonar graphical user interface during a real-time example.

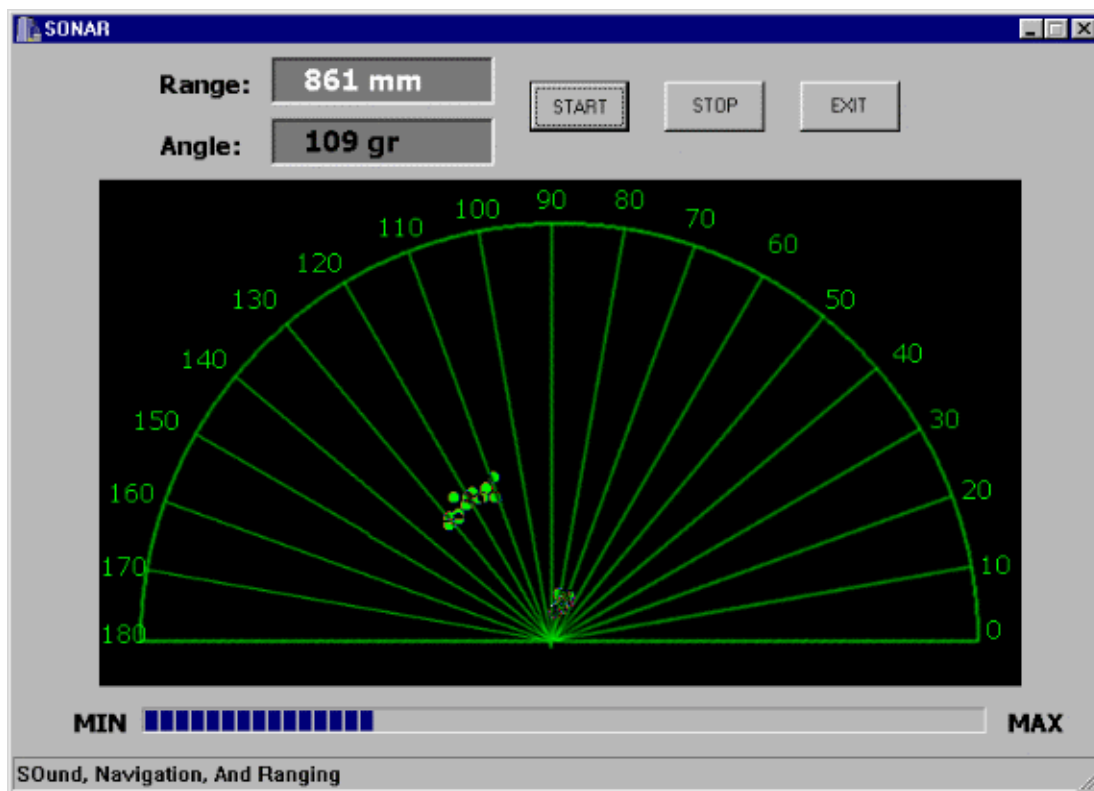


Figure 6. Sonar Graphical User Interface

## 5 Conclusions

A simple real-time sonar implementation with the DSP56824 is presented in this paper. We described the general characteristics of a sonar system, emphasizing the advantages of introducing a specialized DSP as the core of the system.

Additionally, we provided details of the general architecture of the proposed sonar system and the hardware components.

The implementation of the sonar-specific digital signal processing algorithms on the DSP56824 is extensively explained in the Section 3, along with the serial communication routines developed for data transactions with a host computer.

A classical sonar scope-like graphical user interface was also designed on the PC, for visualizing the results as intuitively as possible.

The proposed sonar system was tested using targets of different sizes, shapes, and surfaces. Theoretical performance characteristics are based on two main parameters.

First, the maximum sonar detection range is a parameter of sound velocity (application-independent variable) and of the data buffer length and echo sampling rate, the two application-dependent variables:

$$D_{\max} = \frac{L_{\text{buff}}}{F_{\text{sampling}}} \cdot \frac{v_{\text{sound}}}{2} \quad \text{Eqn. 4}$$

where: **L<sub>buff</sub> = 2048 words**- is the received data buffer length used;

**F<sub>sampling</sub> = 108 kHz**- represents the sampling frequency used for echo receiving;

**v<sub>sound</sub> = 340 m/sec**- is the velocity of acoustic waves in air at normal temperature.

As a result, the theoretical maximum detection range of the implemented sonar is:

$$D_{\max} = 3223.7 \text{ mm} \quad \text{Eqn. 5}$$

The value in Equation 5, resulting from Equation 4, is a theoretical one, because we ignored the energy loss of acoustic waves during their propagation in the air, from source to the target and backwards, and also because of the reflection loss on the target. These parameters are dependent on local air pressure and temperature, as well as the size, surface, and shape of a particular target (see discussion in Section 1.1). The acoustic noise present in the environment as well as the inducted electrical noise at the reception side were also ignored.

Our practical results demonstrate the importance of the parameters ignored in the equations above. At the maximum theoretical limit of the distance (about 3.2 m) and using a large surface (1000 × 500 mm rectangle) the system was able to detect the target, but the results were highly unstable (at the limit of error threshold).

The second main sonar parameter is the so-called *detection resolution*—the uncertainty of distance calculation. For the proposed sonar implementation, the detection resolution is given by:

$$\varepsilon = \frac{v_{\text{sound}}}{F_{\text{sampling}}} = 3.148 \text{ mm} \quad \text{Eqn. 6}$$

Again, practical evaluations of this parameter issued higher results, for the same reasons explained above.

Further improvements of the sonar system will start by reducing the noise in the system as much as possible. Transducer interface circuits will be better designed, the amplification schemes optimized (especially on the receiver side) with special care on maximizing the Signal-to-Noise Ratio (SNR).

Optimization of the sonar-specific algorithms implementation on the DSP is another potential performance enhancement of the system. We intend to develop and test a sonar detection algorithm based on the cross-correlation of digital signals.

For increasing sonar's detection range, a more powerful ultrasound transducer pair can be used along with higher gain amplifier circuits, as well as a CODEC with higher sampling rate and conversion resolution.

A straightforward application of the proposed sonar system is an autonomously, self-guided mini-robot, able to move from a predefined start point towards a destination, avoiding possible obstacles encountered on its route.

Other possible applications include intelligent devices like autonomous vacuum-cleaners, object searchers operating in difficult environments (gas-poisoned or no-visibility areas), self-guided devices, car-parking systems, etc.

A simple sonar system can also serve as a very versatile and intuitive support for teaching and experimenting with digital signal processing algorithms and their implementation on DSPs.

## 6 References

- [1] *DSP56800 16-Bit DSP Family Manual* (order number DSP56800FM/D).
- [2] *DSP56824 16-Bit DSP User's Manual* (order number DSP56824UM/D).
- [3] *DSP56824 Evaluation Module Hardware Reference Manual* (order number DSP56824EVMUM/D).
- [4] *Motorola DSP Assembler Reference Manual*, Motorola, Inc., 1996.
- [5] *3D Tracking Sonars with High Accuracy of Range Measurements for Autonomous Mobile Robot Navigation*, A. M. Sabatini, EUSIPCO'96, European Signal Processing Conference, Trieste, Italy, 1996.
- [6] *Wideband Inverse Filtering to Improve Active Sonar Detection in Background Reverberation*, P. Delachartre et. al., EUSIPCO'96, European Signal Processing Conference, Trieste, Italy, 1996.
- [7] *RADAR Signal Extraction Using Correlation*, F. Lancon et. al., EUSIPCO'96, European Signal Processing Conference, Trieste, Italy, 1996.